

# TECHNICAL PRODUCT SUBMITTAL

## AMICUS LAHP-2304WWS BOOST HEAT PUMP

| Heating Data                                     |  |                   |
|--|--|-------------------|
| Heating Capacity (EN14511) <sup>1</sup>          |  | kW                |
| Total Power input (EN14511) <sup>1</sup>         |  | kW                |
| COP (EN14511) <sup>1</sup>                       |  | W/W               |
| Nominal flow rate                                |  | m <sup>3</sup> /h |
| Pressure drop across the heat pump               |  | kPa               |
| EcoDesign data                                   |  |                   |
| EcoDesign Energy Label Rating                    |  | LT/HT             |
| SCOP Low Temperature                             |  |                   |
| Seasonal Efficiency High temperature             |  | %                 |
| General Data                                     |  |                   |
| Refrigerant type                                 |  |                   |
| Compressor Type                                  |  |                   |
| Number of Compressors                            |  |                   |
| Number of Circuits                               |  |                   |
| Capacity steps                                   |  |                   |
| Minimum capacity step                            |  | %                 |
| Electrical Data                                  |  |                   |
| Power supply                                     |  | V/Ph/Hz           |
| Maximum input power                              |  | kW                |
| Maximum input current standard unit              |  | A                 |
| Peak input current standard unit                 |  | A                 |
| Peak input current with soft start option fitted |  | A                 |
| Fuse rating (delayed)                            |  | A                 |
| Fans   |  |                   |
| Sound power level                                |  | dB(A)             |
| Sound pressure level                             |  | dB(A)             |

|            |
|------------|
| 401        |
| 83         |
| 4.83       |
| 55.19      |
| 12.1       |
|            |
| A++/A++    |
| 6.02       |
| 184        |
|            |
| R134A      |
| Scroll     |
| 4          |
| 2          |
| 4          |
| 25         |
|            |
| 400/3+N/50 |
| 119        |
| 211        |
| 430        |
| 322        |
| 315        |
|            |
| 89         |
| 57         |

| Model | Octave band (Hz) |      |      |      |      |      |      |      | Lw    |       | Lp    |
|-------|------------------|------|------|------|------|------|------|------|-------|-------|-------|
|       | 63               | 125  | 250  | 500  | 1K   | 2K   | 4K   | 8K   | Db    | dB(A) | dB(A) |
|       | dB               | dB   | dB   | dB   | dB   | dB   | dB   | dB   |       |       |       |
| 302   | 78.1             | 69.3 | 63.2 | 61.7 | 60.6 | 55.2 | 51.8 | 42.7 | 78.9  | 65    | 49    |
| 402   | 78.1             | 69.3 | 63.2 | 61.7 | 60.6 | 55.2 | 51.8 | 42.7 | 78.9  | 65    | 49    |
| 602   | 83.1             | 74.3 | 68.2 | 66.7 | 65.6 | 60.2 | 56.8 | 47.7 | 83.9  | 70    | 54    |
| 702   | 86.1             | 77.3 | 71.2 | 69.7 | 68.6 | 63.2 | 59.8 | 50.7 | 86.9  | 73    | 57    |
| 902   | 87.1             | 78.3 | 72.2 | 70.7 | 69.6 | 64.2 | 60.8 | 51.7 | 87.9  | 74    | 58    |
| 1202  | 89.1             | 80.3 | 74.2 | 72.7 | 71.6 | 66.2 | 62.8 | 53.7 | 89.9  | 76    | 60    |
| 1402  | 91.1             | 82.3 | 76.2 | 74.7 | 73.6 | 68.2 | 64.8 | 55.7 | 91.9  | 78    | 62    |
| 1804  | 101.1            | 92.3 | 86.2 | 84.7 | 83.6 | 78.2 | 74.8 | 65.7 | 101.9 | 88    | 72    |
| 2304  | 102.1            | 93.3 | 87.2 | 85.7 | 84.6 | 79.2 | 75.8 | 66.7 | 102.9 | 89    | 73    |
| 2604  | 104.1            | 95.3 | 89.2 | 87.7 | 86.6 | 81.2 | 77.8 | 68.7 | 104.9 | 91    | 75    |

Lw: sound power level according to ISO 3744

Lp: sound pressure level at 1 mt from the unit in free field conditions direction factor Q=2 according to ISO 3744

# TECHNICAL PRODUCT SUBMITTAL

## AMICUS LAHP-2304WWS BOOST HEAT PUMP

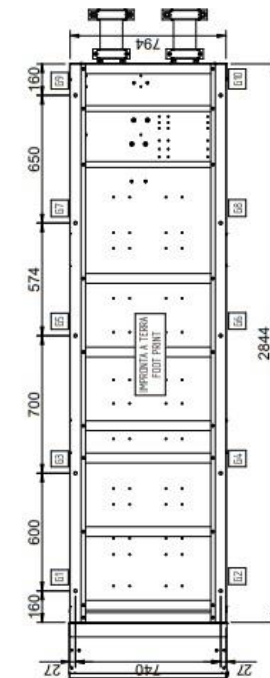
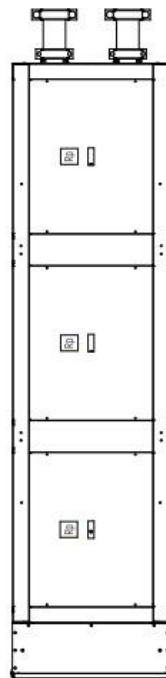
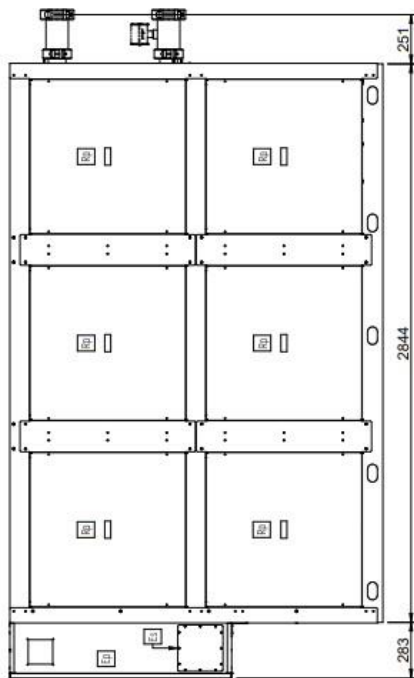
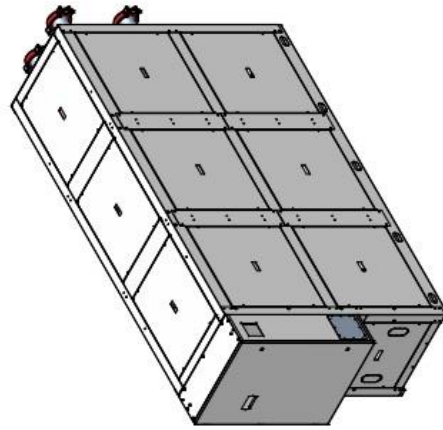
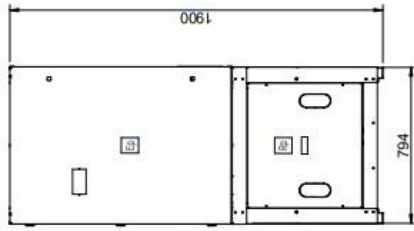
| User   | 65     |            |      | 70     |            |      |
|--------|--------|------------|------|--------|------------|------|
| Source | Output | Absorption | COP  | Output | Absorption | COP  |
| 20     | 270    | 191        | 3.4  | n/a    | n/a        | n/a  |
| 25     | 308    | 228        | 3.82 | 300    | 211        | 3.36 |
| 30     | 352    | 270        | 4.31 | 340    | 250        | 3.76 |
| 35     | 401    | 318        | 4.82 | 387    | 295        | 4.23 |
| 40     | 456    | 372        | 5.38 | 438    | 346        | 4.71 |
| 45     | 518    | 433        | 6    | 497    | 403        | 5.26 |
| User   | 75     |            |      | 78     |            |      |
| Source | Output | Absorption | COP  | Output | Absorption | COP  |
| 20     | n/a    | n/a        | n/a  | n/a    | n/a        | n/a  |
| 25     | n/a    | n/a        | n/a  | n/a    | n/a        | n/a  |
| 30     | 330    | 230        | 3.3  | 323    | 217        | 3.02 |
| 35     | 373    | 272        | 3.69 | 365    | 258        | 3.41 |
| 40     | 421    | 320        | 4.13 | 412    | 304        | 3.78 |
| 45     | 477    | 374        | 4.59 | 465    | 356        | 4.23 |

n/a=not allowed heat pump will not work at operating conditions

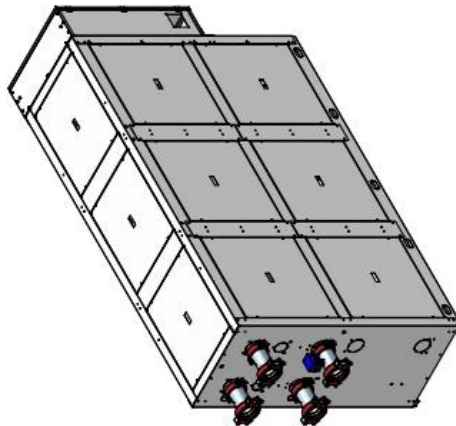
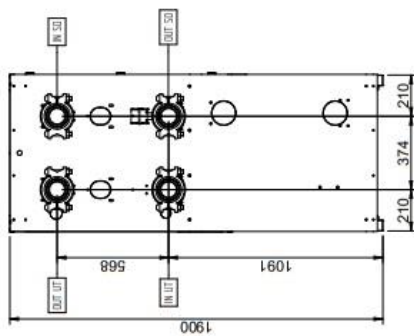
**Amicus air to water heat pumps** must be installed and maintained in line with the Installation Commissioning and Maintenance Instructions which are available on the Literature & Downloads section of [www.lochinvar.ltd.uk](http://www.lochinvar.ltd.uk)

# TECHNICAL PRODUCT SUBMITTAL

## AMICUS LAHP-2304WWS BOOST HEAT PUMP



| WEIGHT OF THE UNIT (Kg)<br>PESO DELL'UNITA' (Kg) |      | 2604 |
|--|------|------|
| -  | 1804 | 2304 |
| G1   | 160  | 177  |
| G2   | 160  | 177  |
| G3   | 160  | 177  |
| G4   | 160  | 177  |
| G5   | 160  | 177  |
| G6   | 160  | 177  |
| G7   | 160  | 177  |
| G8   | 160  | 177  |
| G9   | 160  | 177  |
| G10  | 160  | 177  |
| TOT  | 1600 | 1770 |
|  |      | 1920 |



|        |   |                       |
|--------|---|-----------------------|
| Rp     | PANNELLO ASPORTABILE - REMOVABLE PANEL                | WHK-1804...2604 HT-LS |
| Ep     | QUADRO ELETTRICO - ELECTRICAL PANEL                   |                       |
| Es     | INGRESSO ALIMENTAZIONE ELETTRICA - POWER SUPPLY INLET |                       |
| IN UT  | INGRESSO ACQUA UTENTE - USER WATER INLET              | Ø 5" VICTAULIC        |
| OUT UT | USCITA ACQUA UTENTE - USER WATER OUTLET               | Ø 5" VICTAULIC        |
| IN SO  | INGRESSO ACQUA SORGENTE - SOURCE WATER INLET          | Ø 5" VICTAULIC        |
| OUT SO | USCITA ACQUA SORGENTE - SOURCE WATER OUTLET           | Ø 5" VICTAULIC        |